

Handling System for Rack Type Basket Cord Conveyor Curve 90°

ITEM # _____

MODEL # _____

NAME # _____

SIS # _____

AIA # _____


863164 (HSBCC90C)

 Cord conveyor for baskets,
 90° curve Unit

Short Form Specification

Item No. _____

Constructed in 304 AISI stainless steel. Square 40x40mm tubular legs on height-adjustable feet. Designed to be connected with rack type dishwasher using 500x500mm baskets.

Main Features

- Cord system generates smooth basket movement and improves hygiene.
- Range built in modules to allow a large number of conveyor combinations.
- Available as optional accessory a remote easy-to-reach emergency-stop buttons fitted where required.
- Conveyor speed is controlled by the dishwasher and the system automatically follows the machine speed.
- "Key holes" and "snap on" system reduces the number of screws needed for fast and easy installation.
- Designed to be connected with rack type dishwasher.
- The unit is part of the complete motorized handling system which can be installed either on loading and/ or unloading sides providing automatic loading and unloading the baskets for better ergonomic operation.

Construction

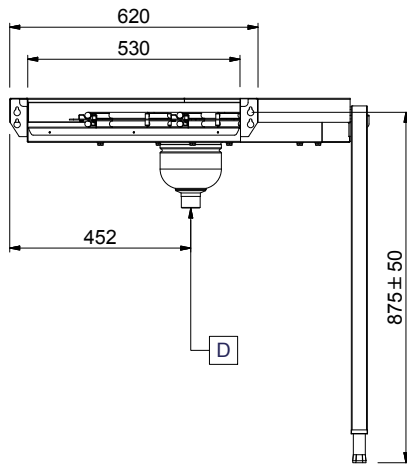
- All surfaces smooth with polished finish.
- 40x40mm stainless steel tubular and square legs.
- Thick welded flanges for sturdy connection between the units.
- S/S plain conveyor base for easy cleaning.
- Constructed in AISI 304 1,5mm stainless steel.
- 15mm reinforced polyurethane cord, for smooth and easy running.
- Designed for 500x500mm baskets.
- 304 AISI stainless steel construction throughout.
- Included strainer basket to collect the food waste for easy to clean.

Optional Accessories

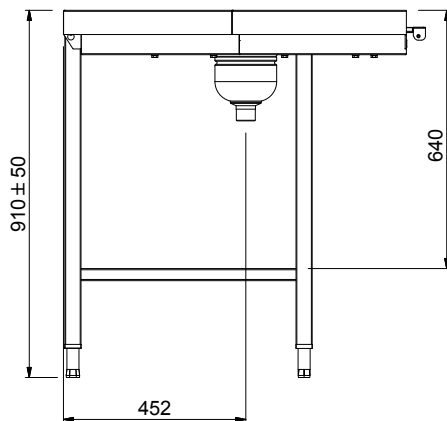
- 10 m cord for cord conveyor PNC 863170
 (mandatory - to be ordered according to the length of the complete layout)
- 30 m cord for cord conveyor PNC 863171
 (mandatory - to be ordered according to the length of the complete layout)
- 50 m cord for cord conveyor PNC 863172
 (mandatory - to be ordered according to the length of the complete layout)
- Kit for cord welding PNC 865143
- Emergency stop kit for Rack Type Dishwasher (not for Basic handling system) PNC 865162

APPROVAL: _____

Front

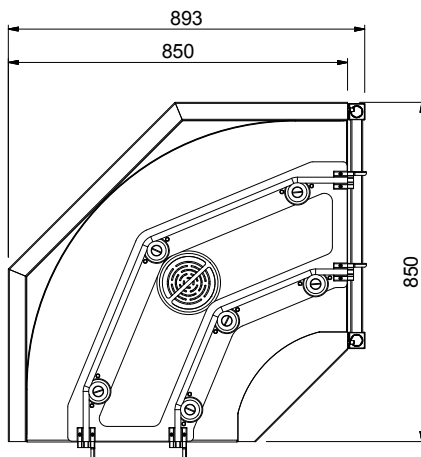


Side



D = Drain

Top



Key Information:

External dimensions, Width:	
863164 (HSBCC90C)	850 mm
External dimensions, Depth:	850 mm
External dimensions, Height:	910 mm
Net weight:	20 kg
Basin material:	Stainless Steel AISI 304 - EN 1.4301